



SAMARK SAMARK 26

With up to 9 characters, variable data such as the Date, Item Number and Size can be printed.

Durable Casing

- Ability to withstand all types of labelling conditions

Smooth Label Dispensing

- Minimize label jams and facilitate reduction in downtime

Wide Variety of Layouts

- Choose from a wide selection of existing layouts

Ability To Take Special Security Cut Labels

- Tamper proof labels prevent prices from being swapped

Precise Printout

- Clarity in printout

Secured Label Loading

- Maximize efficiency and cost-savings

Durable and Reliable Hand Labelling Systems



SAMARK, an excellent cost performance labeller, offers a compact, dependable & reliable hand labelling solution.

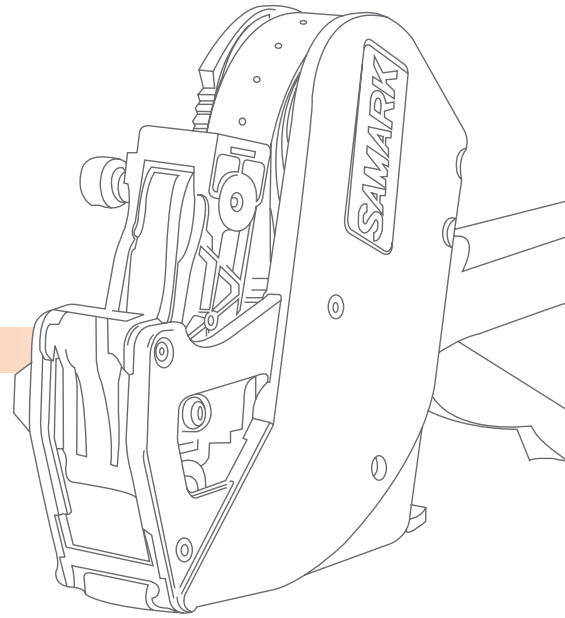
It is durably constructed to perform low to high volume labelling, allowing users to mark thousands of items quickly and reliably.

With its light-weight and specially engineered designed, SAMARK hand labellers fit the hand comfortably. Efficiency is enhanced as operators can use it daily and for longer periods of time.

SAMARK uses the most popular “punch-hole” label and SAMARK 26 uses wavy labels, which prominently set the standard for Asia and Europe respectively.

RETAIL STORE & SUPERMARKET	FOOD PROCESSING INDUSTRY	MANUFACTURING INDUSTRY
<p>SAMARK</p>	<p>Imported by : SATO INTERNATIONAL PTE LTD 438A ALEXANDRA ROAD #05-01/04 ALEXANDRA TECHNOPARK SINGAPORE 119967 TEL : 6271 2122</p>	<p>SKU 12548-25</p>
<p>SAMARK 26</p>	<p>CONSUME BEFORE 31-12-05</p>	<p>LOT NO 5093-25</p>

Labels shown here are for illustration purposes only



▶ APPLICATIONS

Industries

- Retail stores and supermarkets
- Food processing industries
- Manufacturing industries

Usage of Application

- Price Marking and Promotional Labelling
- Food Control. For example; Best Before date and Place of Origin
- Inventory Control. For example; SKU Code and Lot Number

General Specifications

SAMARK SAMARK 26

MODEL	SAMARK	SAMARK 26
Band Per Head	5, 6, 8	5, 6, 8
Font Height	3.0 to 5.0 mm (0.12" to 0.20")	3.0 to 5.0 mm (0.12" to 0.20")
Label Size	P 12 x W 21.6 mm (0.47" x 0.85")	P 12 x W 26 mm (0.47" x 1.02")
Label Type Supported	Rectangular Punch-hole	Wavy
No. Of Pieces Per Roll	1,000 pieces per roll	1,000 pieces per roll
Labeller Size	W 62 x D 226 x H 135 mm (W 2.5" x D 8.9" x H 5.3")	W 62 x D 226 x H 135 mm (W 2.5" x D 8.9" x H 5.3")
Labeller Weight	270g (without label)	270g (without label)
Body Colour	Red, Blue, Black	Red, Blue, Black

Specifications might vary from region to region and are subject to change without notice.

For more information about SATO in the region, visit www.satoasiapacific.com or scan QR code below:



©2015 SATO Global Business Services Pte. Ltd. All rights reserved. Specifications subject to change without notice. Any unauthorized reproduction of the contents of this presentation, in part or whole, is strictly prohibited.

SATO is a registered trademark of SATO Holdings Corporation and its subsidiaries in Japan, the U.S. and other countries. All other trademarks are the property of their respective owners.